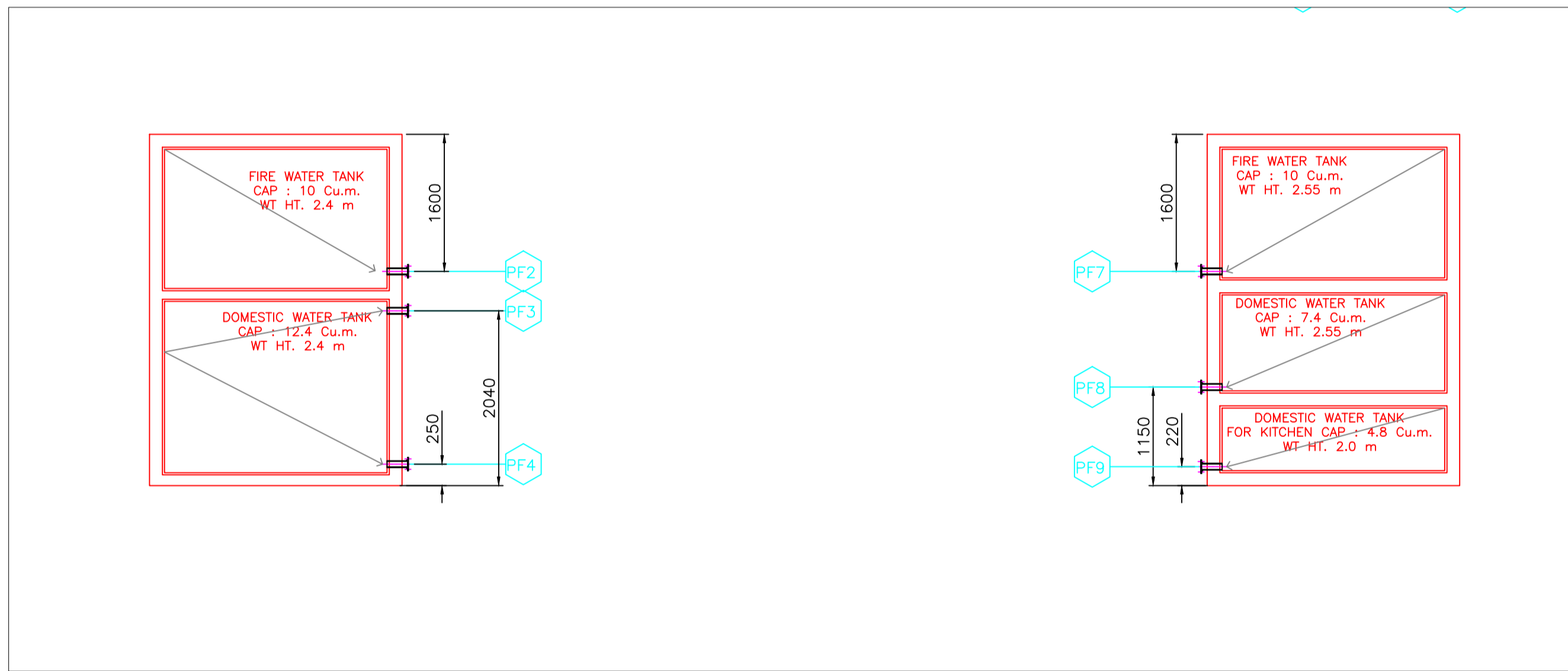
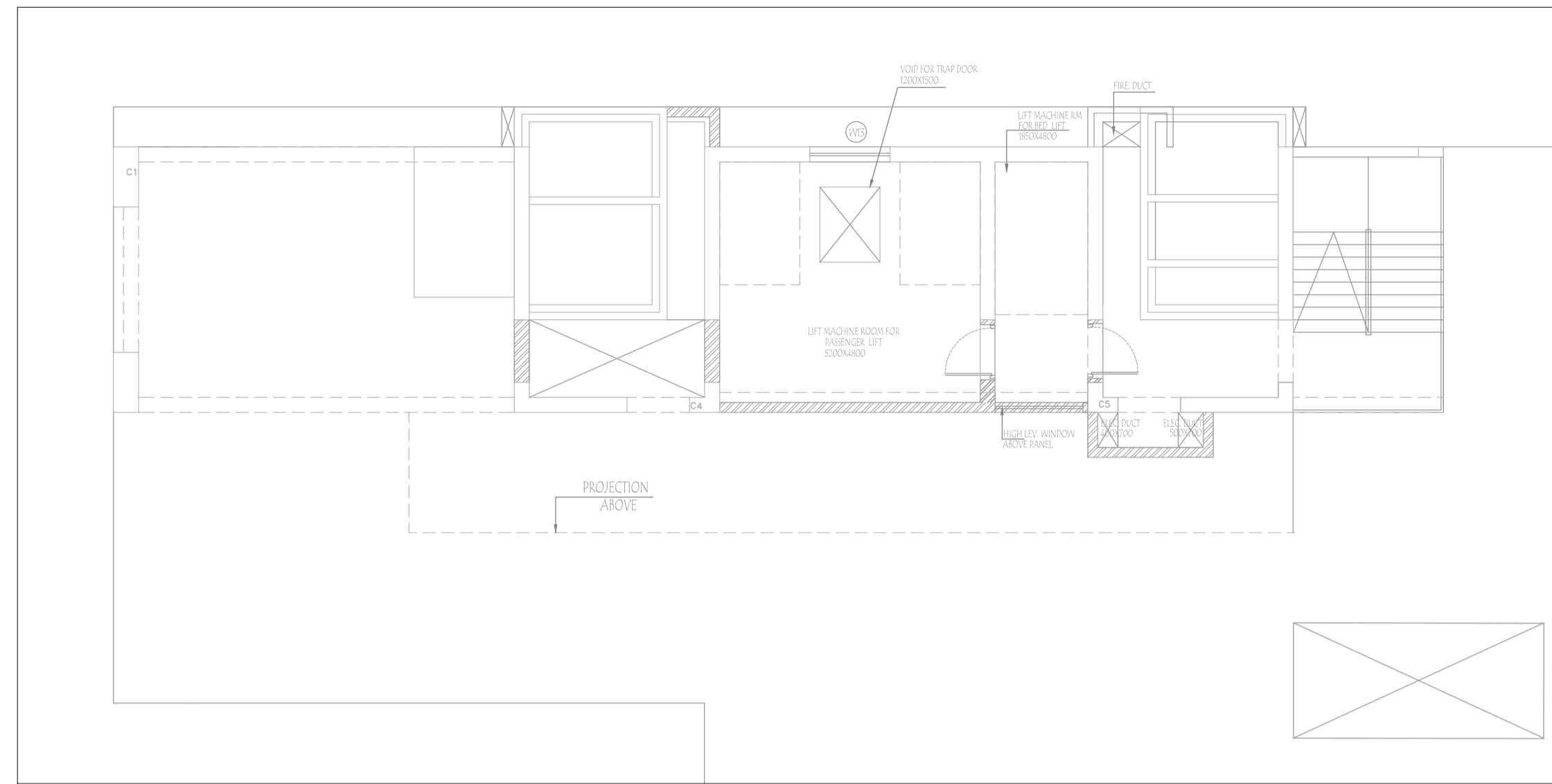


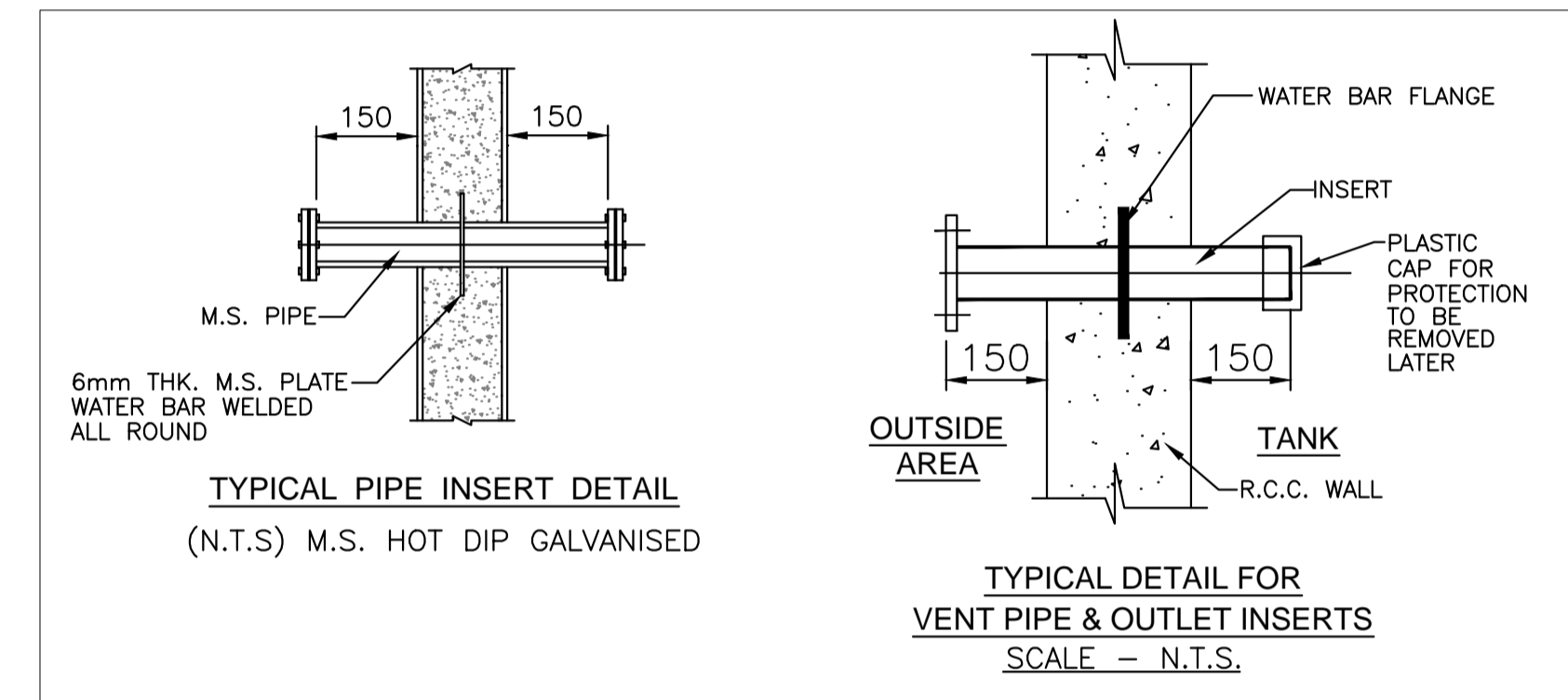
OHWT @ TOP LEVEL
SCLE 1:50



OHWT @ BOTTOM LEVEL
SCLE 1:50



- NOTES:**
- ① 150# SEWER PIPE T/B
 - ② 150# RAIN WATER PIPE T/B
 - ③ 100# BALCONY DRAIN PIPE T/B
 - ④ DOMESTIC WATER SUPPLY TRANSFER PIPE F/B
 - ⑤ DOMESTIC WATER SUPPLY T/B
 - ⑥ HOT WATER PIPE T/B
 - ⑦ 100# SWIMMING POOL DRAIN PIPE T/B
 - ⑧ 100# LOWN DRAIN PIPE T/B
-
- DOMESTIC WATER SUPPLY PIPE
 - FLUSHING WATER SUPPLY PIPE
 - HOT WATER SUPPLY PIPE
 - SOIL PIPE
 - WASTE PIPE
 - RAIN WATER PIPE
 - FT-- FLOOR TRAP
 - FD-- FLOOR DRAIN
 - TD-- TERRACE DRAIN
 - CD-- CORNER DRAIN
 - GEYSER



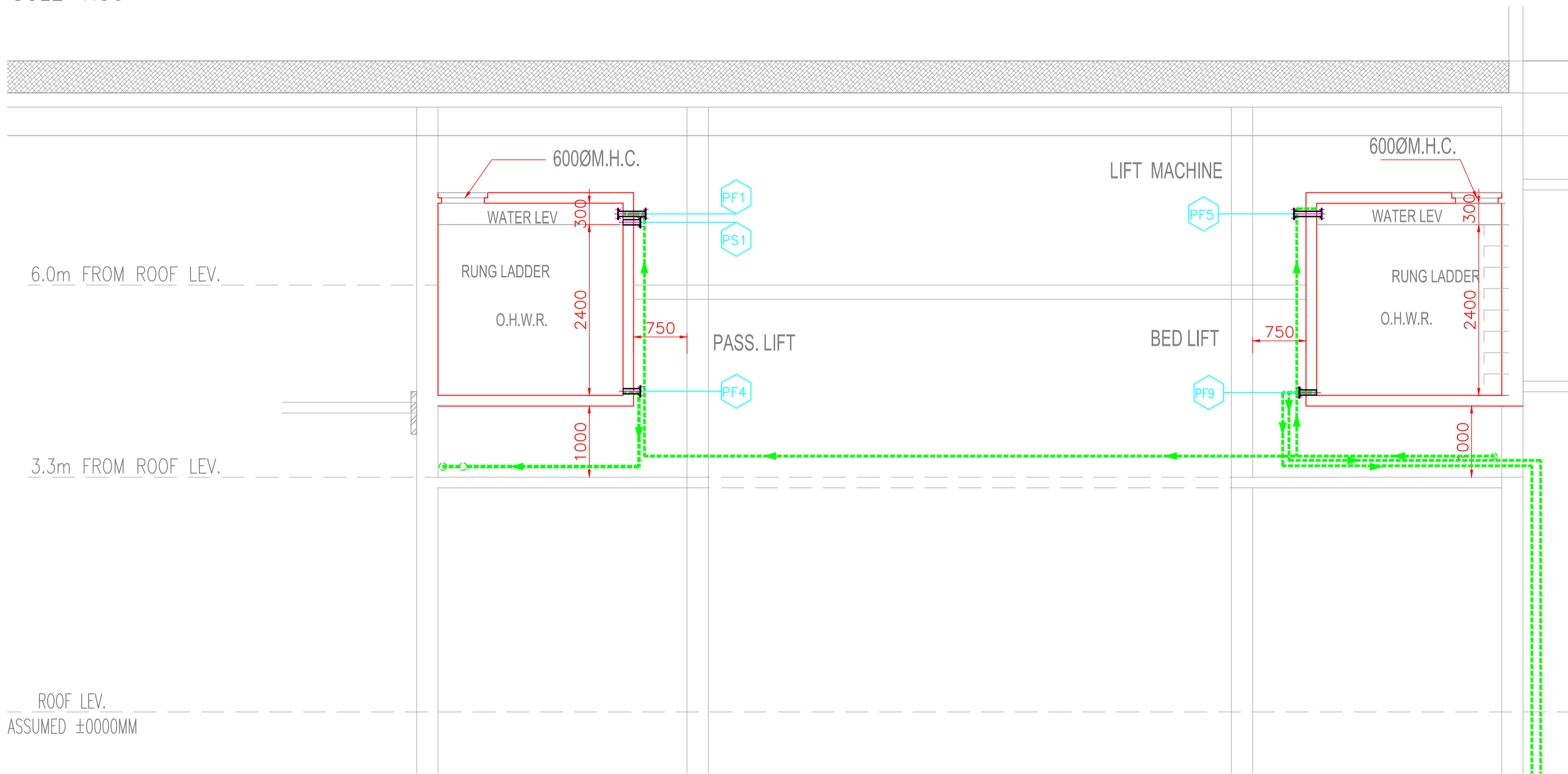
SCHEDULE OF SLEEVES & CUTOUTS FOR WATER TANK

PF1 = $\varnothing 50$ PUDDLE FLANGE. IL.(+) 6970MM (FOR FIRE TANK INLET PIPE)
 PF2 = $\varnothing 80$ PUDDLE FLANGE. IL.(+) 4475MM (FOR FIRE TANK OUTLET PIPE)
 PF3 = $\varnothing 65$ PUDDLE FLANGE. IL.(+) 4475MM (FOR TANK OUTLET TO PUMP HEADER PIPE)
 PF4 = $\varnothing 65$ PUDDLE FLANGE. IL.(+) 4475MM (FOR DOMESTIC TANK OUTLET PIPE)
 PS1 = $\varnothing 40$ PIPE SLEEVE. IL.(+) 6850MM (FOR TANK OVERFLOW PIPE)
 PS2 = $\varnothing 40$ PIPE SLEEVE. IL.(+) 6950MM (FOR LEVEL INDICATOR CABLE)
 PF5 = $\varnothing 50$ PUDDLE FLANGE. IL.(+) 6970MM (FOR FIRE TANK INLET PIPE)
 PF6 = $\varnothing 50$ PUDDLE FLANGE. IL.(+) 6970MM (FOR KITCHEN DOMESTIC TANK INLET PIPE)
 PF7 = $\varnothing 80$ PUDDLE FLANGE. IL.(+) 4475MM (FOR FIRE TANK OUTLET PIPE)
 PF8 = $\varnothing 65$ PUDDLE FLANGE. IL.(+) 4475MM (FOR DOMESTIC TANK OUTLET PIPE)
 PF9 = $\varnothing 50$ PUDDLE FLANGE. IL.(+) 4475MM (FOR KITCHEN DOMESTIC TANK OUTLET PIPE)

PS3 = $\varnothing 40$ PIPE SLEEVE. IL.(+) 7000MM (FOR TANK OVERFLOW PIPE)
 PS4 = $\varnothing 40$ PIPE SLEEVE. IL.(+) 7000MM (FOR LEVEL INDICATOR CABLE)
 PS5 = $\varnothing 40$ PIPE SLEEVE. IL.(+) 6850MM (FOR TANK OVERFLOW PIPE)
 PS6 = $\varnothing 40$ PIPE SLEEVE. IL.(+) 7000MM (FOR LEVEL INDICATOR CABLE)
 AV = $\varnothing 40$ PIPE SLEEVE (FOR TANK VENT PIPE)
 CO = $\varnothing 600$ CUTOUT IN TANK SLAB (FOR TANK ACCESS)

B.O.S. = BOTTOM OF SLEEVE

NOTE : SLEEVE LEVELS ARE AS PER UNFINISHED ROOF FLOOR LEVEL IS (\pm) 0.00M



| NO | ISSUED FOR CONSTRUCTION | 29.06.18 | UGK | PBK | RNJ |
|-----|-------------------------|----------|-----|------|------|
| REV | DESCRIPTION | DATE | DWN | CHKD | APPD |

RECEIVER'S SIGN/STAMP

PURPOSE OF RELEASE:

ISSUED FOR CONSTRUCTION

CLIENT:

ARKK consulting
 Design Engineering Project Management
 4, Sumar Kendra, Pandurang Budhkar Marg,
 Worli, MUMBAI - 400 018.
 PHONE:(022) 4025 0100 FAX:(022)2496 0489
 E-mail: rnj@arkkconsulting.com

DRAWING TITLE:

17 D
OVERHEAD WATER TANK LAYOUT
ABOVE ROOF PLAN @ 3.3 & 6.0 m

| NAME | DATE | SIGN |
|-------------------|----------|------|
| DRAWN BY UMESH | 16/06/18 | |
| CHECKED BY PRASAD | 16/06/18 | |
| APPROVED BY RNJ | 16/06/18 | |

DRAWING No. 17D/RFP/PL-403 SCALE 1:50
REV 00